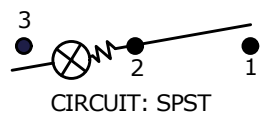
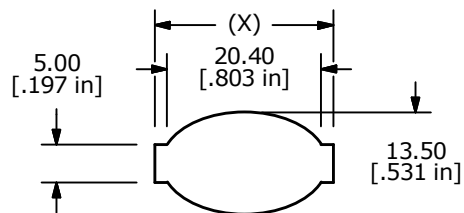


SWITCH FUNCTION		
POS. 1	POS. 2	POS. 3
OFF	NONE	ON
OPEN	N/A	2-1, 2-3

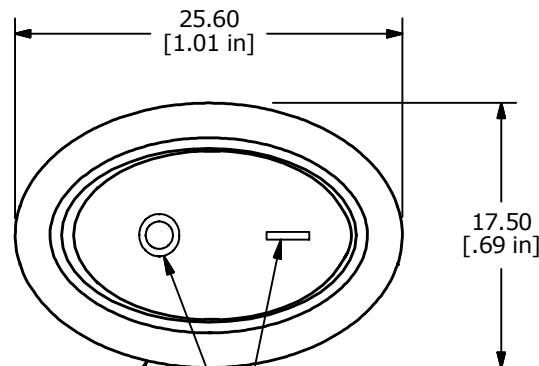


- NOTE:
- ALL DIMENSIONS IN MM [INCH]
  - GENERAL TOLERANCE: X.X = ± 0.4  
X.XX = ± 0.25
  - TERMINAL NOS. FOR REF. ONLY
  - RATINGS: ANSI/UL 1054 AND CAN/CSA C22.2 NO.55 (E194579):  
16A 125VAC [UR, cUR]  
10A 250VAC [UR, cUR]  
1/3 HP 125/250VAC [UR, cUR]  
EN 61058-1:2002:  
10(4)A 250V~ μ 1E4 T125/55 [ENEC14]  
10(2)A 250V~ μ 5E4 T85/55 [ENEC14]
  - CONTACT MATERIAL: SILVER ALLOY CLAD COPPER
  - CONTACT RESISTANCE: 35mΩ MAX. @ 50VAC INITIAL
  - INSULATION RESISTANCE: 100MΩ MIN. @ 500VDC
  - DIELECTRIC STRENGTH: 1,500 VAC FOR 1 MINUTE
  - ELECTRICAL LIFE: 6,000 CYCLES [UR, cUR]  
10,000 CYCLES [ENEC14: 10(4)A 250V~]  
50,000 CYCLES [ENEC14: 10(2)A 250V~]
  - TEMPERATURE: -20°C TO 105°C [UR, cUR]  
-20°C TO 125°C [ENEC14: 10(4)A 250V~]  
-20°C TO 85°C [ENEC14: 10(2)A 250V~]
  - LAMP VOLTAGE: 250V
  - ▲ DENOTES CRITICAL PARAMETER
  - 2011/65/EU (ROHS) COMPLIANT



PANEL THICKNESS	(X) DIMENSION
0.75 TO 1.25	23.3
1.25 TO 2.00	23.6
2.00 TO 3.00	23.9

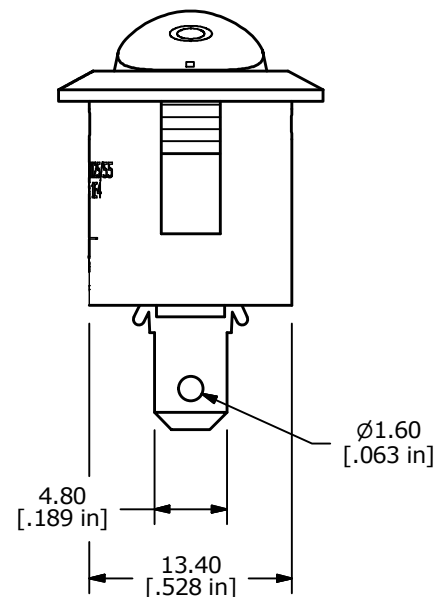
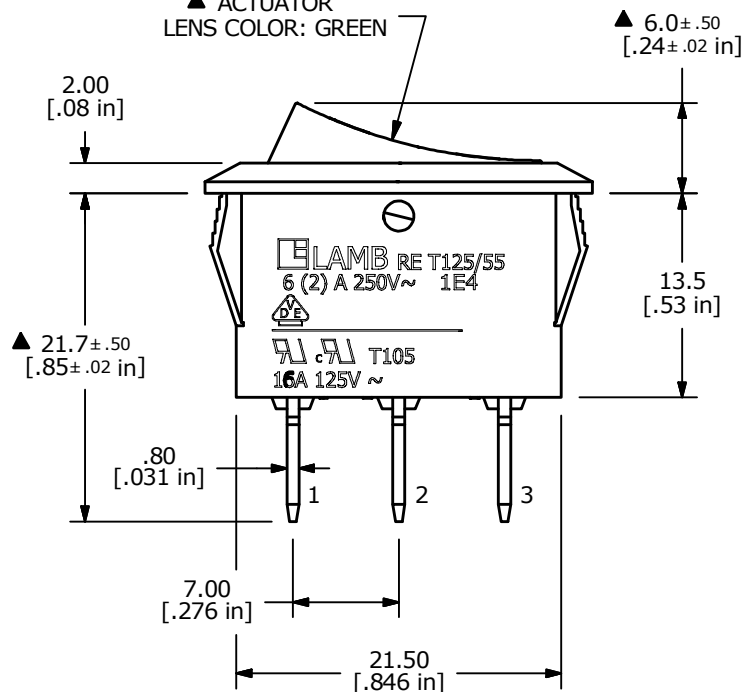
SUGGESTED PANEL CUTOUT



▲ BODY COLOR: GREY  
▲ I/O MARKING COLOR: WHITE



▲ ACTUATOR LENS COLOR: GREEN



B	23441	REMOVED SEMKO RATING	7/12/18	MJR
A	23265	RELEASE FOR PRODUCTION	3/22/18	MW
REV	PCR NO	DESCRIPTION	DATE	BY

TITLE RE111C4021-137				
SCALE 2:1	DATE 3/20/2018	DR BGL	DWG 38-RE111C4021137	REV B

THE INFORMATION CONTAINED IN THIS DOCUMENT IS PROPRIETARY TO E-SWITCH AND IS NOT TO BE COPIED OR TRANSFERRED